



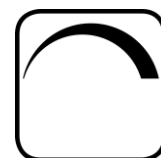
Equilux

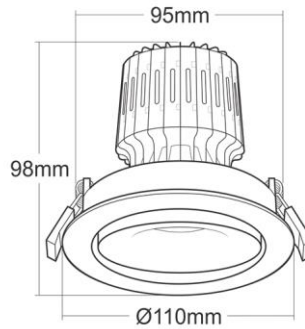
A no compromise, high performance recessed downlight to fit a standard 95mm cut-out.

Exceptional colour rendering of 90+ CRI and a generous 1300 lumens output delivers an impressive solution for demanding applications in retail stores, galleries and discerning residential environments.

The 4000K model Equilux meets and exceeds requirements for cyanosis observation for medical environments.

Not recommended for residential use. Must have clearance from combustible materials





ACCESSORIES

Features:

- Tilt/rotation
- Excellent colour rendering
- Glare control design
- Quality dual-dimming Tridonic driver
- 4000K model suitable for cyanosis observation (COI 1.2 - 4000K)

Accessories: (Adapter Rings)

- COMD20A6W - White Mounting Ring (suit Ø90mm)
- COMD20F6W - White Mounting Ring (suit Ø65mm)
- COMD20R1W - White Mounting Ring (suit Ø90mm)
- COMD20RARB - Black Anti-Glare Recessed Adapter
- COMD20RARW - White Anti-Glare Recessed Adapter

Specifications:

- Voltage Input: 240VAC
- Power Factor: >0.95
- Beam Angle: 60°
- CRI: >90
- Ta Rating: 45°C
- Cut Out Size: Ø95mm
- Tilt Angle: ± 25°
- Rotation: 355°
- Cyanosis Observation Index: 1.2 (4000K)
- Dimmable: Phase cut and 1-10V dimmable
- No ICF rating -Must be clear of combustible material

Part Number	Lumens (Lm)	Watts (W)	CCT (K)	Product Dimensions (mm)	Cyanosis Index	Frame Colour
LUMD20322W	1200	16	3000	ø110 x 98mm	N/A	White
LUMD20422W	1300	16	4000	ø110 x 98mm	1.2	White