

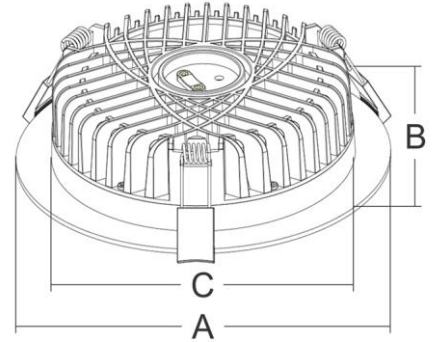
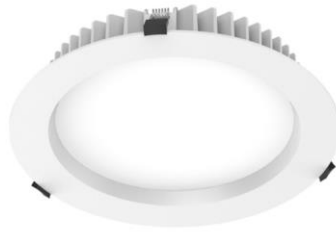


## Consort ECO

A range of recessed LED fittings to replace traditional downlights, featuring low installation profiles and wide beam lighting output.

Consort ECO is available in various configurations for applications requiring up to 4000 lumens.





## Features:

- CCT selectable: 3000K, 4000K, 5700K
- Ingress rating IP44
- Wide beam angle
- Easy to install
- Multiple wattages and sizes available

## Specifications:

- Voltage Input: 200-240VAC
- Power Factor: >0.9
- Beam Angle: 90°
- CRI: >80
- Operating Temp: -20°C to 45°C
- Ingress Protection: IP44
- Dimmable: No
- Warranty: 5 years

## Options:

- Dimmable options:  
Phase control, 1-10V

Part Number	Lumens (Lm)	Watts (W)	CCT (K)	Product Dimensions (mm)	Cut-out (mm)
LUMD12218TW1	1650-1800	18	3000K, 4000K, 5700K	A=Ø170 x B=45 x C=Ø134	140-150
LUMD12318TW1	1533-1894	18	3000K, 4000K, 5700K	A=Ø190 x B=45 x C=Ø153	160-170
LUMD12425TW1	2130-2630	25	3000K, 4000K, 5700K	A=Ø228 x B=45 x C=Ø192	200-210
LUMD12530TW1	2970-3510	30	3000K, 4000K, 5700K	A=Ø280 x B=52 x C=Ø229	230-260